

TDL 434

TDL 484

TDL 534

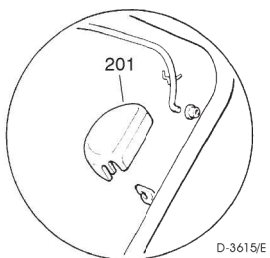


CHASSIS
MANICO
COMANDI
DOTAZIONE VITERIE

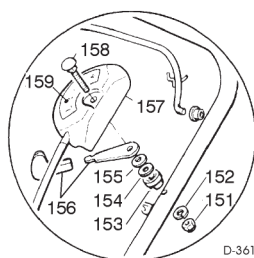
DECK
HANDLE
CONTROLS
SCREWS OUTFITS

CHÂSSIS
MANCHERON
COMMANDES
DOTATION VISSERIE

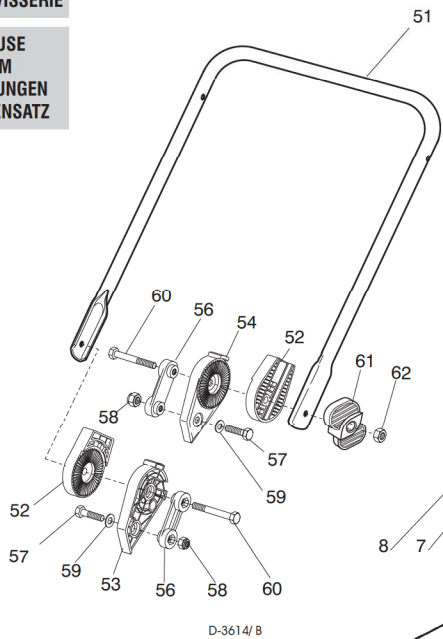
GEHÄUSE
HOLM
BETÄTIGUNGEN
SCRAUBENSATZ



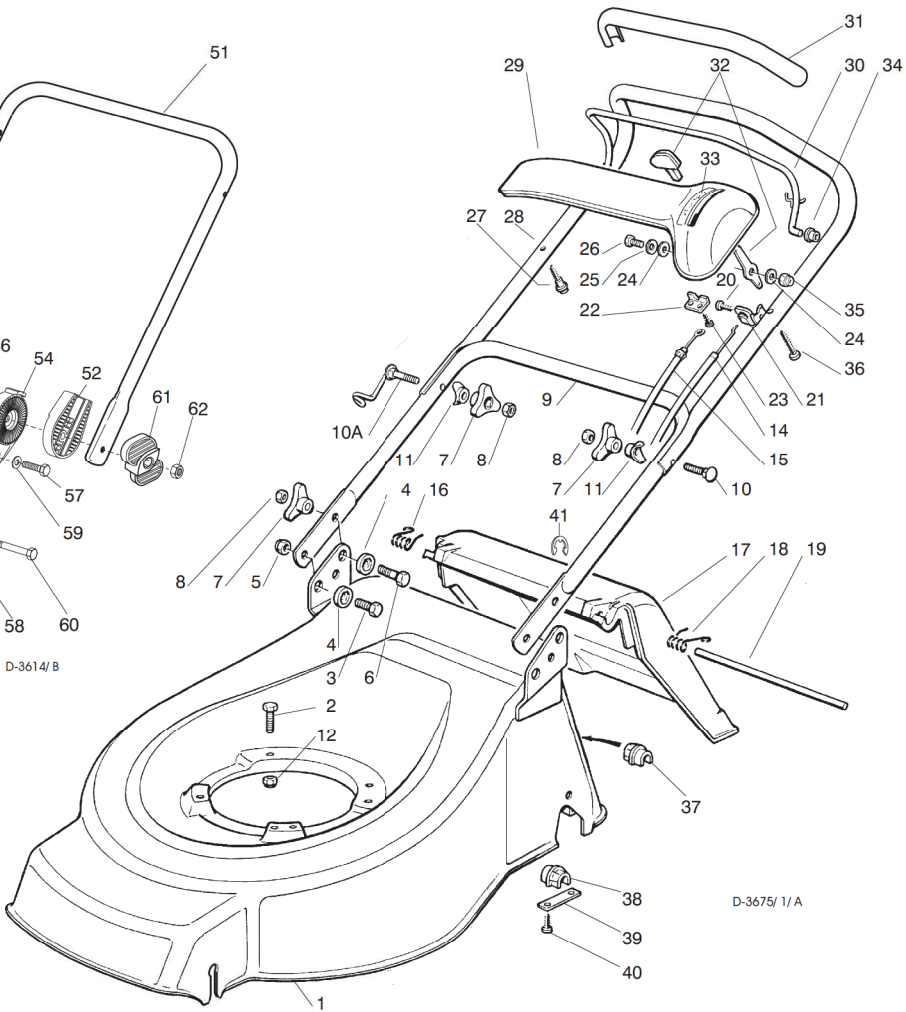
D-3615/E



D-3615/D



D-3614/B



D-3675/ 1/A

SPARE PARTS CATALOGUE

GB

CATALOGO DELLE PARTI
DI RICAMBIO

I

ERSATZTEILKATALOG

D

CATALOGUE DES PIÈCES
DE RECHANGE

F

T3675/1/A

Pos. Nr.	Codice Code Kodex	Q.tà Q.ty-Q.te Menge	Descrizione	Description	Description	Beschreibung
1		1	CHASSIS	DECK	CHÂSSIS	GEHÄUSE
—	81001343/ 0	1	ROSSO TDL 434	RED TDL 434	OUGE TDL 434	ROTES TDL 434
—	81001353/ 0	1	GIALLO TDL 434	YELLOW TDL 434	JAUNE TDL 434	GELBES TDL 434
—	81001375/ 0	1	VERDE TDL 434	GREEN TDL 434	VERT TDL 434	GRÜNES TDL 434
—	81001344/ 0	1	ROSSO TDL 484	RED TDL 484	OUGE TDL 484	ROTES TDL 484
—	81001355/ 0	1	GIALLO TDL 484	YELLOW TDL 484	JAUNE TDL 484	GELBES TDL 484
—	81001377/ 0	1	VERDE TDL 484	GREEN TDL 484	VERT TDL 484	GRÜNES TDL 484
—	81001744/ 1	1	ROSSO TDL 534	RED TDL 534	ROUGE TDL 534	ROTES TDL 534
—	81001745/ 1	1	GIALLO TDL 534	YELLOW TDL 534	JAUNE TDL 534	GELBES TDL 534
—	81001746/ 1	1	VERDE TDL 534	GREEN TDL 534	VERT TDL 534	GRÜNES TDL 534
2			VITE	SCREW	VIS	SCHRAUBE
—	12793700/ 0	3/ 2	(M8X30)	(M8X30)	(M8X30)	(M8X30)
—	12691800/ 0	0/ 1	(M8X60)	(M8X60)	(M8X60)	(M8X60)
3		2	VITE	SCREW	VIS	SCHRAUBE
4		4	BUSSOLA	BUSH	DOUILLE	BUCHSE
5		2	DADO	NUT	ECROU	MUTTER
6		2	VITE	SCREW	VIS	SCHRAUBE
7		4	MANOPOLINA	KNOB	POIGNÉE	GRIFF
8		4	DADO	NUT	ECROU	MUTTER

Pos. Nr.	Codice Code Kodex	Q.tà Q.ty-Q.tè Menge	Descrizione	Description	Description	Beschreibung
9	81006512/0	1	PARTE INF. MANICO	LOWER HANDLE	PARTIE INF. MANCHERON	UNTERHOLM
10	12819201/0	1	VITE	SCREW	VIS	SCHRAUBE
10A	81003801/0	1	MOLLA GUIDA	SPRING	RESSORT	FEDER
11	22680006/1	2	RONDELLA	WASHER	RONDELLE	SCHIBE
12	12293201/0	3/2	DADO	NUT	ECROU	MUTTER
—	12155000/0	0/1	DADO	NUT	ECROU	MUTTER
13	12792610/0	2	VITE	SCREW	VIS	SCHRAUBE
14	81007160/0	1	CAVO ACCELERATORE	THROTTLE CABLE	CABLE ACCELERATEUR	BESCHLEUNIGER KABEL
15	81000633/0	1	CAVO FRENO MOTORE	THREAD MOTOR BRAKE	CABLE FREIN MOTEUR	MOTORBREMSEKABEL
—	81000629/1	1	TDL 434 (QUANTUM XM)	TDL 434 (QUANTUM XM)	TDL 434 (QUANTUM XM)	TDL 434 (QUANTUM XM)
—	81000631/0	1	TDL 434-484 (TECUMSEH)	TDL 434-484 (TECUMSEH)	TDL 434-484 (TECUMSEH)	TDL 434-484 (TECUMSEH)
—	81000625/0	1	TDL 484 (QUANTUM XM-ES 40)	TDL 484 (QUANTUM XM-ES 40)	TDL 484 (QUANTUM XM-ES 40)	TDL 484 (QUANTUM XM-ES 40)
—	81000638/0	1	TDL 484 (SPRINT 375/ QUATTRO)	TDL 484 (SPRINT 375/ QUATTRO)	TDL 484 (SPRINT 375/ QUATTRO)	TDL 484 (SPRINT 375/ QUATTRO)
—	81000641/0	1	TDL 484 (HONDA GCV 135/ 160)	TDL 484 (HONDA GCV 135/ 160)	TDL 484 (HONDA GCV 135/ 160)	TDL 484 (HONDA GCV 135/ 160)
—	81000642/0	1	TDL 534 (QUANTUM XM-ES 40)	TDL 534 (QUANTUM XM-ES 40)	TDL 534 (QUANTUM XM-ES 40)	TDL 534 (QUANTUM XM-ES 40)
—	81000643/0	1	TDL 534 (SPRINT 375/ QUATTRO)	TDL 534 (SPRINT 375/ QUATTRO)	TDL 534 (SPRINT 375/ QUATTRO)	TDL 534 (SPRINT 375/ QUATTRO)
—	81000644/0	1	TDL 534 (TECUMSEH)	TDL 534 (TECUMSEH)	TDL 534 (TECUMSEH)	TDL 534 (TECUMSEH)
—	81000640/0	1	TDL 534 (HONDA GCV 135/ 160)	TDL 534 (HONDA GCV 135/ 160)	TDL 534 (HONDA GCV 135/ 160)	TDL 534 (HONDA GCV 135/ 160)
16	22450410/1	1	MOLLA DX	RIGHT SPRING	RESSORT DROITE	RECHTE FEDER
17	22600046/1	1	PARASASSI	STONE-GUARD	PARE-PIERRES	PRALLBLECH
18	22450420/1	1	MOLLA SX	LEFT SPRING	RESSORT GAUCHE	LINKE FEDER
19	22517906/1	1	PERNO	PIN	PIVOT	BOLZEN
20	12728518/0	1	VITE	SCREW	VIS	SCHRAUBE
21	22806612/0	1	SUPPORTO	SUPPORT	SUPPORT	HALTER
22	22981467/0	1	PIASTRINA	PLAQUE	PLAQUETTE	PLATTE
23	12735105/0	2	VITE	SCREW	VIS	SCHRAUBE
24	12523040/0	2	RONDELLA	WASHER	RONDELLE	SCHIBE
25	12530060/0	1	RONDELLA ELASTICA	SPRING WASHER	RONDELLE ELASTIQUE	ELASTISCHE SCHEIBE
26	12791500/0	1	VITE	SCREW	VIS	SCHRAUBE
27	22943006/0	1	VITE	SCREW	VIS	SCHRAUBE
28	81007018/0	1	PARTE SUP. MANICO	UPPER HANDLE	PARTIE SUP. MANCHERON	OBERHOLM
29	22120154/0	1	CRUSCOTTO	DASH BOARD	CONSOLE	KONSOLE
—	22120152/0	1	ROSSO	RED	ROUGE	ROTE
—	22120158/0	1	GIALLO	YELLOW	JAUNE	GELBE
—	22120158/0	1	NERO	BLACK	NOIRE	SCHWARZE
30	81003291/2	1	LEVA FRENO MOTORE	BRAKE LEVER	LEVIER FREIN MOTEUR	MOTORBREMSEHEBEL
31	22291050/0	1	IMPUGNATURA MANICO	HANDGRIP	POIGNÉE	HANDGRIFF
—	22291051/0	1	NERA	BLACK	NOIRE	SCHWARZER
—	22291052/0	1	ROSSA	RED	ROUGE	RÖTER
—	22291052/0	1	GIALLA	YELLOW	JAUNE	GELBER
32	81007280/2	1	ASS. LEVA + MANOPOLINA	LEVER + KNOB ASS. Y	ENS. LEVIER + POIGNÉE	HEBEL + GRIFF SATZ
33	14356743/0	1	ETICHETTA (TECUMSEH-HONDA)	LABEL (TECUMSEH-HONDA)	ETIQUETTE (TECUMSEH-HONDA)	ETIKETTE (TECUMSEH-HONDA)
—	14356744/0	1	(B&S)	(B&S)	(B&S)	(B&S)
34	22041966/0	2	BOCCOLA	BUSH	DOUILLE	BUCHSE
35	12154510/0	1	DADO	NUT	ECROU	MUTTER
36	12728460/0	1	VITE	SCREW	VIS	SCHRAUBE
37	22038402/0	1	BRONZINA DESTRA	RIGHT BUSH	DOUILLE DROITE	RECHTE BUCHSE
38	22038403/0	1	BRONZINA SINISTRA	LEFT BUSH	DOUILLE GAUCHE	LINKE BUCHSE
39	22545142/0	2	PIASTRINA	PLATE	PLAQUETTE	PLATTE
40	12731350/0	4	VITE	SCREW	VIS	SCHRAUBE
41	1200930/0	1	ANELLO ELASTICO	SNAP RING	ANNEAU RESSORT	SPRENGRING
—	81008614/1	1	DOTAZIONE VITERIA	SCREWS OUTFIT	DOTATION VISSERIE	SCHRAUBEN SATZ
—	81008609/0	1	DOTAZIONE CRUSCOTTO	DASH-BOARD OUTFIT	DOTATION CONSOLE	KONSOLE SATZ

VARIANTE REGOLAZIONE MANICO	HANDLE ADJUSTMENT VARIANT	VARIANTE REGLAGE POIGNEE	GRIFFEINSTELLVARIANTE
-----------------------------	---------------------------	--------------------------	-----------------------

51	81006510/0	1	PARTE INF. MANICO	LOWER HANDLE	PARTIE INF. MANCHERON	UNTERHOLM
52	22785081/0	2	SUPPORTO ESTERNO	EXTERNAL SUPPORT	SUPPORT EXTERNE	AUßERE HALTERUNG
53	22785082/0	1	SUPPORTO INTERNO DX	R. INTERNAL SUPPORT	SUPPORT INTERNE DROIT	INNERE HALTERUNG RECHTS
54	22785083/1	1	SUPPORTO INTERNO SX	L. INTERNAL SUPPORT	SUPPORT INTERNE GAUCHE	INNERE HALTERUNG LINKS
56	22551575/0	2	PIASTRINA INTERNA	INSIDE PLAQUE	PLAQUETTE INTERNE	INNERE PLATTE
57	12793701/0	2	VITE	SCREW	VIS	SCHRAUBE
58	12155000/0	2	DADO	NUT	ECROU	MUTTER
59	12521350/0	2	RONDELLA	WASHER	RONDELLE	SCHIBE
60	12691810/0	2	VITE	SCREW	VIS	SCHRAUBE
61	22399803/0	2	MANOPOLINA	KNOB	POIGNÉE	GRIFF
62	12293202/0	2	DADO	NUT	ECROU	MUTTER
—	81008623/0	1	DOTAZ. VITERIA	SCREWS OUTFIT	DOTATION VISSERIE	SCHRAUBEN SATZ

VARIANTE ACCELERATORE	THROTTLE VARIANTS	VARIANTES COMMANDE D'ACCELERATION	ÄNDERUNGEN AUF GASHEBEL
-----------------------	-------------------	-----------------------------------	-------------------------

151	12291000/0	1	DADO	NUT	ECROU	MUTTER
152	12581500/0	1	GROWER	GROWER	GROWER	FEDERRING
153	22171005/0	1	DISTANZIALE	SPACER	ENTRETOISE	DISTANZRING
154	12521360/0	1	RONDELLA	WASHER	RONDELLE	SCHIBE
155	12508100/0	1	RONDELLA ELASTICA	SPRING WASHER	RONDELLE ELASTIQUE	ELASTISCHE SCHEIBE
156	81007279/0	1	ASS. LEVA+MANOPOLINA	LEVER+KNOB ASS.Y	ENS. LEVIER+POIGNEE	HEBEL+GRIFF SATZ
157	81007080/0	1	ASSIEME ACCELERATORE	TROTTLER UNIT ASS.Y	ENS. ACCELERATEUR	BESCHLEUNIGER SATZ
158	12815000/0	1	VITE	SCREW	VIS	SCHRAUBE
159	14356702/0	1	ETICHETTA (TECUMSEH-HONDA)	LABEL (TECUMSEH-HONDA)	ETIQUETTE (TECUMSEH-HONDA)	ETIKETTE (TECUMSEH-HONDA)
—	14356703/0	1	(B&S)	(B&S)	(B&S)	(B&S)

Pos. Nr.	Codice Code Kodex	Q.tà Q.ty-Q.tè Menge	Descrizione	Description	Description	Beschreibung
----------	-------------------	----------------------	-------------	-------------	-------------	--------------

T-3615/E

VARIANTE REGIME FISSO	FIXED SPEED VARIANTS	VARIANTES POUR MODELE À REGIME FIXE	ÄNDERUNGEN FÜR MODELLE MIT FIXIRTER DREHZAHL
-----------------------	----------------------	-------------------------------------	--

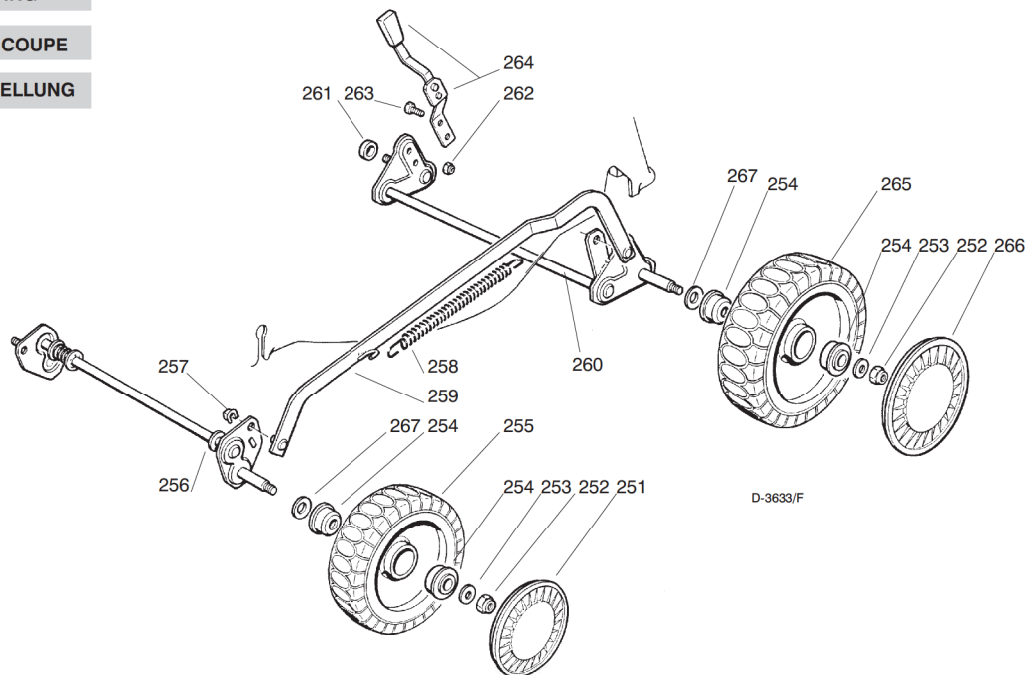
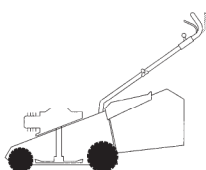
201	22601000/0	PROTEZIONE	PROTECTION	PROTECTION	SCHUTZ
-----	------------	------------	------------	------------	--------

RUOTE E REGOLAZIONE

WHEELS AND HEIGHT ADJUSTING

ROUES ET REGLAGE HAUTER DE COUPE

RÄDER UND SCHNITTHÖHEVERSTELLUNG



D-3633/F

T-3635/F

251			COPRIMOZZO	HUB CAP	COUVRE-MOYEU	RADKAPPE
—	22110282/0	2	BIANCO	WHITE	BLANC	WEIßE
—	22110288/0	2	GIALLO	YELLOW	JAUNE	GELBE
—	22110290/0	2	ROSSO	RED	ROUGE	ROTE
252	12155000/0	4	DADO	NUT	ECROU	MUTTER
253	12521350/0	4	RONDELLA	WASHER	RONDELLE	SCHEIBE
254	22122200/0	8	CUSCINETTO	BEARING	COUSSINET	KUGELLAGER
255	81007317/0	2	RUOTA SCOLPITA Ø 170	KNOBBLY WHEEL Ø 170	ROUE SCULPTEE Ø 170	RAD M. STOLLENPR.Ø 170
256			ASSE RUOTE ANTERIORE	FRONT WHEELS AXLE	AXE ROUES AVANT	VORDERRADACHSE
—	81001272/0	1	TDL 434	TDL 434	TDL 434	TDL 434
—	81001274/1	1	TDL 484	TDL 484	TDL 484	TDL 484
—	81001223/1	1	TDL 534	TDL 534	TDL 534	TDL 534
257	12436050/0	2	PIASTRINA	PLATE	PLAQUETTE	PLÄTTCHEN
258	22446180/0	1	MOLLA	SPRING	RESSORT	FEDER
259		1	ASTA COMANDO	ADJUSTMENT ROD	TIGE COMMANDE	STELLSTAB
—	81001275/0	1	TDL 434	TDL 434	TDL 434	TDL 434
—	81001276/0	1	TDL 484	TDL 484	TDL 484	TDL 484
—	81001264/0	1	TDL 534	TDL 534	TDL 534	TDL 534
260	81001278/0	1	ASSE RUOTE POSTERIORE	REAR WHEELS AXLE	AXE ROUES ARRIERE	HINTERRADACHSE
—			TDL 434 - 484	TDL 434 - 484	TDL 434 - 484	TDL 434 - 484
261	22170800/0	1	DISTANZIALE	SPACER	ENTRETOISE	DISTANZRING
262	12154330/0	2	DADO	NUT	ECROU	MUTTER
263	12789000/0	2	VITE	SCREW	VIS	SCHRAUBE
264	81003283/1	1	LEVA REGOLAZIONE	ADJUSTMENT LEVER	LEVIER REGLAGE	VERSTELLUNGHEBEL
265	81007318/1	2	RUOTA SCOLPITA Ø 210	KNOBBLY WHEEL Ø 210	ROUE SCULPTEE Ø 210	RAD M. STOLLENPR. Ø 210
266			COPRIMOZZO	HUB CAP	COUVRE-MOYEU	RADKAPPE
—	22110281/0	2	BIANCO	WHITE	BLANC	WEIßE
—	22110287/0	2	GIALLO	YELLOW	JAUNE	GELBE
—	22110289/0	2	ROSSO	RED	ROUGE	ROTE
267	12530150/0	4	RONDELLA ELASTICA	ELASTIC WASHER	RONDELLE ELASTIQUE	ELASTISCHE SCHEIBE

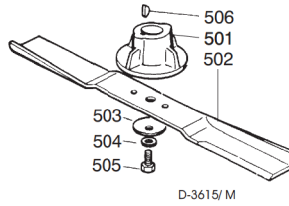
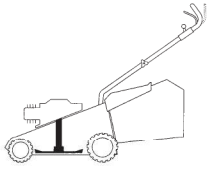
Pos. Nr.	Codice Code Kodex	Q.tà Q.ty-Q.tè Menge	Descrizione	Description	Description	Beschreibung
----------	-------------------	----------------------	-------------	-------------	-------------	--------------

GRUPPO COLTELLO

BLADE ASS.Y

GROUPE LAME

MESSERSATZ



T-3635/ M

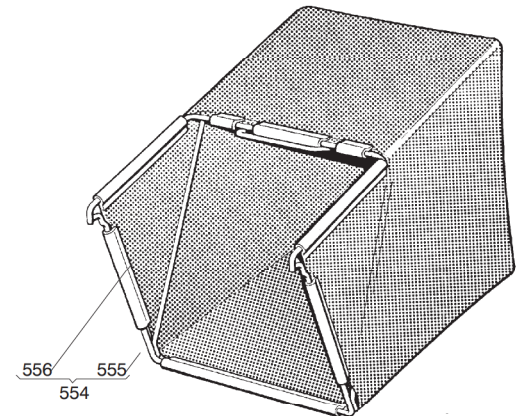
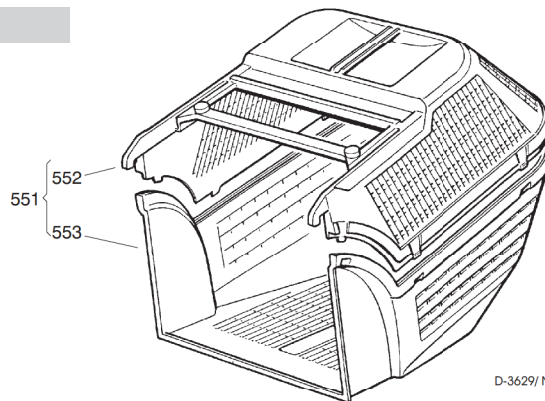
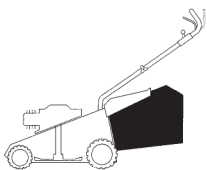
501	22463012/ 1	1	MOZZO	HUB	MOYEU	HALTER
502	81004341/ 2	1	COLTELLO	BLADE	LAME	MESSER
—	81004341/ 2	1	STANDARD 41 cm.	STANDARD 41 cm.	STANDARD 41 cm.	STANDARD 41 cm.
—	81004396/ 0	1	ALETTATO 41 cm.	WINGED 41 cm.	AILETTÉE 41 cm.	FLÜGEL 41 cm.
—	81004346/ 2	1	STANDARD 46 cm.	STANDARD 46 cm.	STANDARD 46 cm.	STANDARD 46 cm.
—	81004397/ 0	1	ALETTATO 46 cm.	WINGED 46 cm.	AILETTÉE 46 cm.	FLÜGEL 46 cm.
—	81004381/ 0	1	STANDARD 51 cm.	STANDARD 51 cm.	STANDARD 51 cm.	STANDARD 51 cm.
—	81004398/ 0	1	ALETTATO 51 cm.	WINGED 51 cm.	AILETTÉE 51 cm.	FLÜGEL 51 cm.
503	22160400/ 0	1	DISCO ELASTICO	ELASTIC WASHER	RONDELLE ELASTIQUE	ELASTISCHE SCHEIBE
504	12523080/ 0	1	RONDELLA	WASHER	RONDELLE	SCHEIBE
505	12735698/ 0	1	VITE	SCREW	VIS	SCHRAUBE
506	12139100/ 0	1	LINGUETTA	FEATHER	CLAVETTE	KEIL

SACCO RACCOGLIERBA

GRASS-CATCHER

BAC DE RAMASSAGE

GRASFANGKORB



T-3629/ N

551	94004000/ 1	1	SACCO COMPLETO	COMPLETE GRASS-BOX	SAC COMPLET	KOMPLETTER KORB
552	22486073/ 0	1	PORTE SUP. SACCO	UPPER GRASS BOX	PARTIE SUP. SAC	OBERKORB
553	22486074/ 0	1	PORTE INF. SACCO	LOWER GRASS BOX	PARTIE INF. SAC	UNTERKORB
554	94005000/ 0	1	ASS. SACCO IN TELA	CANVASS GRASSCATCHER	ENSEMBLE SAC EN TOILE	KOMPLETTER SACK
555	81006418/ 0	1	TELAIO	CHASSIS	CHÂSSIS	RAHMEN
556	81002105/ 2	1	TELA SACCO	FABRIC BOX	TOILE POUR SAC	TUCK FÜR SACK